



Connection Cable

连接线缆



上海兰宝传感科技股份有限公司

Shanghai Lanbao Sensing Technology Co., Ltd.



传通世界 感知未来 Sensing the dream
传通世界 感知未来 Sensing the dream

关于兰宝 About US

上海兰宝传感科技股份有限公司创立于1998年，是上海市高新技术企业，国内领先的工业自动化产品供应商。

我们为客户提供超过3000多种规格的产品，涵盖电感式传感器、电容式传感器、光电式传感器、编码器、霍尔传感器、磁感应传感器、各类光幕/光栅、固态继电器和连接线缆等系列产品，以及工业自动化综合解决方案。我们已通过ISO9001:2008质量管理体系认证，并已实施欧盟RoHS环保指令。我们的产品系列已通过CCC认证、CE认证和UL认证。

我们的产品广泛应用于冶金、钢铁、石油、化工、纺织、烟草、食品、印刷、矿山、电子、仪器等行业的工业机械设备及自动化生产线，作限位保护、定位检测、信号传送、自动计数、测速等作用，为客户创造长期的价值和潜在的增长。

我们始终坚持以质量第一、价格合理、交货及时、服务周到的原则，不但为客户提供常规型号产品，也可以根据客户的具体需求设计开发新产品，及时为客户提供全面的产品服务，最大限度地满足用户需要。

Shanghai Lanbao Sensing Technology Co., Ltd, which was founded in 1998, is a leading domestic supplier of electronic products. We are committed to provide customers with customized and high-quality sensors as well as system engineering, solutions and technical services. We devote ourselves to create long-term value and potential growth for our customers.

As one of the manufacturers with the most variety of sensors in China, we have the ability to independently develop, design and produce various kinds of high-quality sensors. We have succeeded in developing and producing more than 3000 specifications of industrial sensors including inductive sensors, capacitive sensors, photoelectric sensors, magnetic sensors, light curtains, SSR and so on.. Our products, which function as protection, positioning, signal transmission, automatic counting, speed measuring and etc., are widely used in industrial equipments and automated production lines for industries such as metallurgy, steel, petroleum, chemistry, textile, tobacco, food, printing, mine, electronics, instruments and so on.

We have been certified according to ISO9001: 2008 Standards, and performed RoHS compliance. Our product series have been certified according to CE, UL and CCC Standards. All of our products have strictly passed through the testing of performance, quality, reliability and manufacturing possibilities at the design stage. We further strengthen the implementation of statistical quality control in our production process, so as to ensure top quality for the finished products. As a specialized sensor manufacturer with core competence and integrated value chain, we focus on excellent quality, reasonable price.



型号一览 Model Catalogue

	内螺纹直头 180° female screw	外螺纹直头 180° male screw	内螺纹弯头 90° female screw	外螺纹弯头 90° male screw
CE8系列 CE8 Series 	CE8-N3F2 CE8-N3F5 CE8-N3F2-U CE8-N3F5-U CE8-N4F2 CE8-N4F5 CE8-N4F2-U CE8-N4F5-U	CE8-W3F2 CE8-W3F5 CE8-W3F2-U CE8-W3F5-U CE8-W4F2 CE8-W4F5 CE8-W4F2-U CE8-W4F5-U	CE8-N3G2 CE8-N3G5 CE8-N3G2-U CE8-N3G5-U CE8-N4G2 CE8-N4G5 CE8-N4G2-U CE8-N4G5-U	
CE12系列 (无LED) CE12 Series (No LED) 	CE12-N3F2 CE12-N3F5 CE12-N3F2-U CE12-N3F5-U CE12-N4F2 CE12-N4F5 CE12-N4F2-U CE12-N4F5-U	CE12-W3F2 CE12-W3F5 CE12-W3F2-U CE12-W3F5-U CE12-W4F2 CE12-W4F5 CE12-W4F2-U CE12-W4F5-U	CE12-N3G2 CE12-N3G5 CE12-N3G2-U CE12-N3G5-U CE12-N4G2 CE12-N4G5 CE12-N4G2-U CE12-N4G5-U	
CE12系列 (带LED) CE12 Series (With LED) 			CE12-N3G2-P CE12-N3G5-P CE12-N3G2-P-U CE12-N3G5-P-U CE12-N4G2-P CE12-N4G5-P CE12-N4G2-P-U CE12-N4G5-P-U CE12-N3G2-N CE12-N3G5-N CE12-N3G2-N-U CE12-N3G5-N-U CE12-N4G2-N CE12-N4G5-N CE12-N4G2-N-U CE12-N4G5-N-U	
CE12系列 (连接器) CE12 Series (Connector) 	CE12-NF	CE12-WF	CE12-NG	CE12-WG

型号代码 Model & Code

CE12 - N3 G 5 - P - U - □□□□
1 2 3 4 5 6 7

1. 连接器规格 Connector type

CE8 : M8连接器 M8 Connector
CE12 : M12连接器 M12 Connector

2. 芯线连接 Core wire

N3 : 3芯内螺纹连接 3 pins female screw
N4 : 4芯内螺纹连接 4 pins female screw
W3 : 3芯外螺纹连接 3 pins male screw
W4 : 4芯外螺纹连接 4 pins male screw

3. 出线方向 Cable lead-out

F : 180°直头 180°
G : 90°弯头 90°

4. 线缆长度 Cable length

2 : 2米电缆线 2m Cable
5 : 5米电缆线 5m Cable
10 : 10米电缆线 10m Cable

5. 输出方式 Output

无表示 : 无LED None: No LED
NPN/PNP共用 available for both NPN/PNP
P : 带LED PNP接口 With LED for PNP
N : 带LED NPN接口 with LED for NPN

6. 线缆材质 Cable material

无表示 : PVC None: PVC
U : PUR U : PUR

7. 特殊代码 Special code

四位数字代号 4 digits number code

连接线缆 Connection Cable

线型 Cable type	型号 Item code			
2m PVC	CE8-N3F2	CE8-N4F2	CE8-N3G2	CE8-N4G2
5m PVC	CE8-N3F5	CE8-N4F5	CE8-N3G5	CE8-N4G5
2m PU	CE8-N3F2-U	CE8-N4F2-U	CE8-N3G2-U	CE8-N4G2-U
5m PU	CE8-N3F5-U	CE8-N4F5-U	CE8-N3G5-U	CE8-N4G5-U



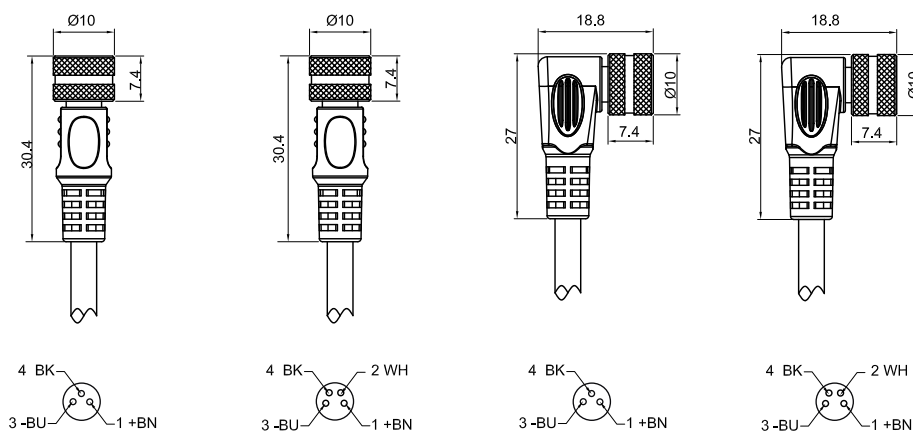
连接器 Connector

工作电压 Operating voltage	60V AC/DC	60V AC/DC	60V AC/DC	60V AC/DC
额定电流 Nominal current	3A	3A	3A	3A
耐电压 Voltage Withstands	芯与芯之间 Between pin and pin	0.65 KV	1 KV	0.65 KV
	芯与螺纹件 Between pin and threaded part	0.85 KV	0.65 KV	0.85 KV
绝缘电阻 Insulation resistance	100MΩ	100MΩ	100MΩ	100MΩ
温度范围 Temperature range	-20~+80°C	-20~+80°C	-20~+80°C	-20~+80°C
LED指示 LED Indication	—	—	—	—
外被 Outer covering	PU	PU	PU	PU
承载材质 Bearing material	镍铜合金 Nickel-copper alloy	镍铜合金 Nickel-copper alloy	镍铜合金 Nickel-copper alloy	镍铜合金 Nickel-copper alloy
防护等级 Protection degree	IP67	IP67	IP67	IP67

连接线缆 Connection cable

材质 Material	PVC/PU	PVC/PU	PVC/PU	PVC/PU
颜色 Colour	灰色 Grey	灰色 Grey	灰色 Grey	灰色 Grey
线径 Cable diameter	Φ4.2mm	Φ4.2mm	Φ4.2mm	Φ4.2mm
芯线 Core wire	3*0.25mm ² (0.1*32)	3*0.25mm ² (0.1*32)	3*0.25mm ² (0.1*32)	3*0.25mm ² (0.1*32)
长度 Length	2m/5m	2m/5m	2m/5m	2m/5m

尺寸图 Dimension



连接线缆 Connection Cable

线型 Cable type	型号 Item code			
2m PVC	CE8-W3F2	CE8-W4F2	CE12-N3F2	CE12-N3G2
5m PVC	CE8-W3F5	CE8-W4F5	CE12-N3F5	CE12-N3G5
2m PU	CE8-W3F2-U	CE8-W4F2-U	CE12-N3F2-U	CE12-N3G2-U
5m PU	CE8-W3F5-U	CE8-W4F5-U	CE12-N3F5-U	CE12-N3G5-U



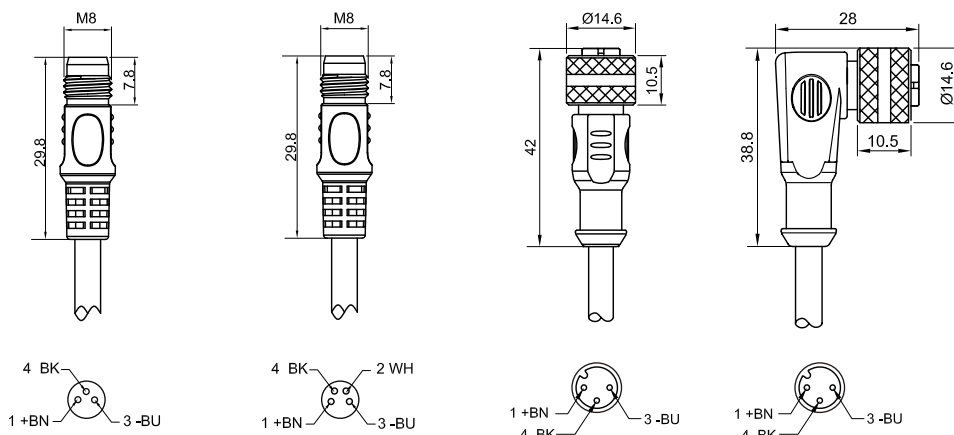
连接器 Connector

工作电压 Operating voltage	60V AC/DC	60V AC/DC	250V AC/DC	250V AC/DC
额定电流 Nominal current	3A	3A	3A	3A
耐电压 Voltage Withstands	芯与芯之间 Between pin and pin 1 KV	0.65 KV	1 KV	1 KV
	芯与螺纹件 Between pin and threaded part 0.85 KV	0.65 KV	0.85 KV	0.85 KV
绝缘电阻 Insulation resistance	100MΩ	100MΩ	100MΩ	100MΩ
温度范围 Temperature range	-20~+80°C	-20~+80°C	-20~+80°C	-20~+80°C
LED指示 LED Indication	—	—	—	—
外被 Outer covering	PU	PU	PU	PU
承载材质 Bearing material	不锈钢 Stainless steel	不锈钢 Stainless steel	镍铜合金 Nickel-copper alloy	镍铜合金 Nickel-copper alloy
防护等级 Protection degree	IP67	IP67	IP67	IP67

连接线缆 Connection cable

材质 Material	PVC/PU	PVC/PU	PVC/PU	PVC/PU
颜色 Colour	灰色 Grey	灰色 Grey	灰色 Grey	灰色 Grey
线径 Cable diameter	Φ4.2mm	Φ4.2mm	Φ5.2mm	Φ5.2mm
芯线 Core wire	3*0.25mm ² (0.1*32)	3*0.25mm ² (0.1*32)	3*0.34mm ² (0.2*11)	3*0.34mm ² (0.2*11)
长度 Length	2m/5m	2m/5m	2m/5m	2m/5m

尺寸图 Dimension



连接线缆 Connection Cable

线型 Cable type	型号 Item code			
2m PVC	CE12-N4F2	CE12-N4G2	CE12-W3F2	CE12-W4F2
5m PVC	CE12-N4F5	CE12-N4G5	CE12-W3F5	CE12-W4F5
2m PU	CE12-N4F2-U	CE12-N4G2-U	CE12-W3F2-U	CE12-W4F2-U
5m PU	CE12-N4F5-U	CE12-N4G5-U	CE12-W3F5-U	CE12-W4F5-U



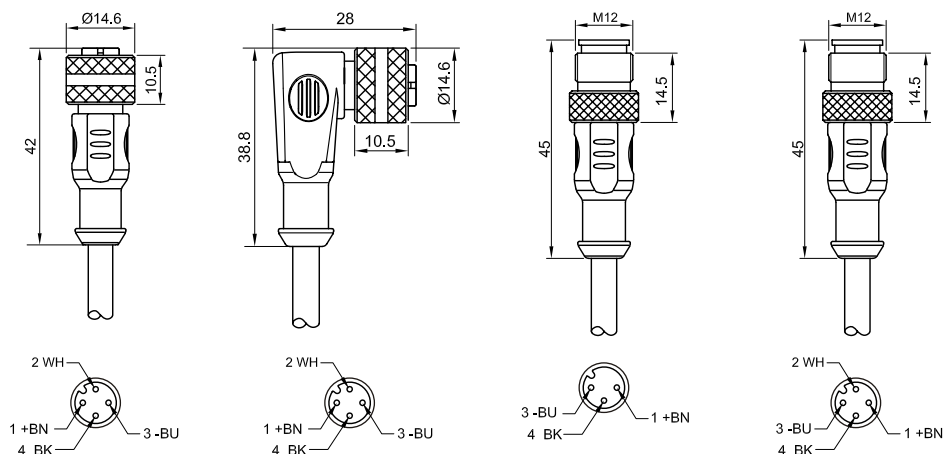
连接器 Connector

工作电压 Operating voltage	250V AC/DC	250V AC/DC	250V AC/DC	250V AC/DC
额定电流 Nominal current	3A	3A	3A	3A
耐电压 Voltage Withstands	芯与芯之间 Between pin and pin 1 KV	1 KV	1 KV	1 KV
	芯与螺纹件 Between pin and threaded part 0.85 KV	0.85 KV	0.85 KV	0.85 KV
绝缘电阻 Insulation resistance	100MΩ	100MΩ	100MΩ	100MΩ
温度范围 Temperature range	-20~+80°C	-20~+80°C	-20~+80°C	-20~+80°C
LED指示 LED Indication	—	—	—	—
外被 Outer covering	PU	PU	PU	PU
承载材质 Bearing material	镍铜合金 Nickel-copper alloy	镍铜合金 Nickel-copper alloy	镍铜合金 Nickel-copper alloy	镍铜合金 Nickel-copper alloy
防护等级 Protection degree	IP67	IP67	IP67	IP67

连接线缆 Connection cable

材质 Material	PVC/PU	PVC/PU	PVC/PU	PVC/PU
颜色 Colour	灰色 Grey	灰色 Grey	灰色 Grey	灰色 Grey
线径 Cable diameter	Φ5.2mm	Φ5.2mm	Φ5.2mm	Φ5.2mm
芯线 Core wire	3*0.34mm ² (0.2*11)	3*0.34mm ² (0.2*11)	3*0.34mm ² (0.2*11)	3*0.34mm ² (0.2*11)
长度 Length	2m/5m	2m/5m	2m/5m	2m/5m

尺寸图 Dimension



连接线缆 Connection Cable

线型 Cable type	型号 Item code			
2m PVC	CE12-N3G2-P	CE12-N4G2-P	CE12-N3G2-N	CE12-N4G2-N
5m PVC	CE12-N3G5-P	CE12-N4G5-P	CE12-N3G5-N	CE12-N4G5-N
2m PU	CE12-N3G2-P-U	CE12-N4G2-P-U	CE12-N3G2-N-U	CE12-N4G2-N-U
5m PU	CE12-N3G5-P-U	CE12-N4G5-P-U	CE12-N3G5-N-U	CE12-N4G5-N-U



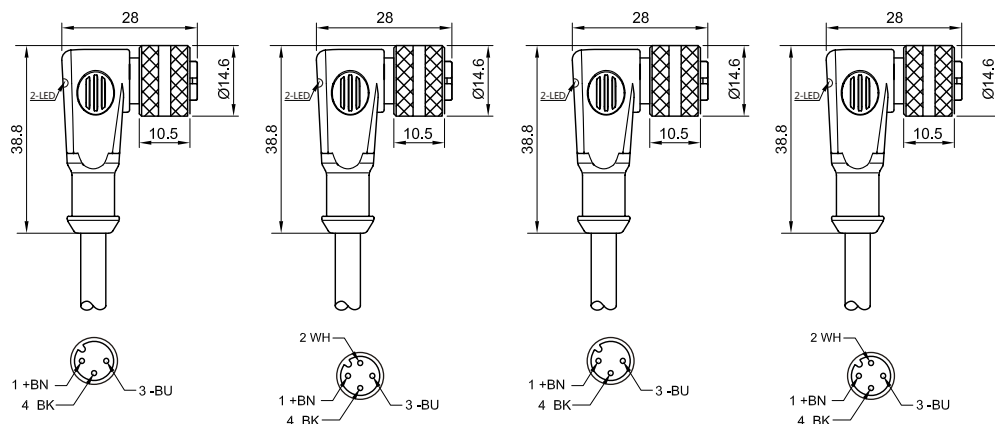
连接器 Connector

工作电压 Operating voltage	0~30V DC	0~30V DC	0~30V DC	0~30V DC
额定电流 Nominal current	3A	3A	3A	3A
耐电压 Voltage Withstands	芯与芯之间 Between pin and pin 1 KV	1 KV	1 KV	1 KV
	芯与螺纹件 Between pin and threaded part 0.85 KV	0.85 KV	0.85 KV	0.85 KV
绝缘电阻 Insulation resistance	100MΩ	100MΩ	100MΩ	100MΩ
温度范围 Temperature range	-20~+80°C	-20~+80°C	-20~+80°C	-20~+80°C
输出方式 Output	PNP	PNP	NPN	NPN
LED指示 LED Indication	电源: 绿色 动作: 黄色 Power: Green Operation: Yellow			
外被 Outer covering	PU	PU	PU	PU
承载材质 Bearing material	镍铜合金 Nickel-copper alloy	镍铜合金 Nickel-copper alloy	镍铜合金 Nickel-copper alloy	镍铜合金 Nickel-copper alloy
防护等级 Protection degree	IP67	IP67	IP67	IP67

连接线缆 Connection cable

材质 Material	PVC/PU	PVC/PU	PVC/PU	PVC/PU
颜色 Colour	灰色 Grey	灰色 Grey	灰色 Grey	灰色 Grey
线径 Cable diameter	Φ5.2mm	Φ5.2mm	Φ5.2mm	Φ5.2mm
芯线 Core wire	3*0.34mm ² (0.2*11)	3*0.34mm ² (0.2*11)	3*0.34mm ² (0.2*11)	3*0.34mm ² (0.2*11)
长度 Length	2m/5m	2m/5m	2m/5m	2m/5m

尺寸图 Dimension



连接线缆 Connection Cable

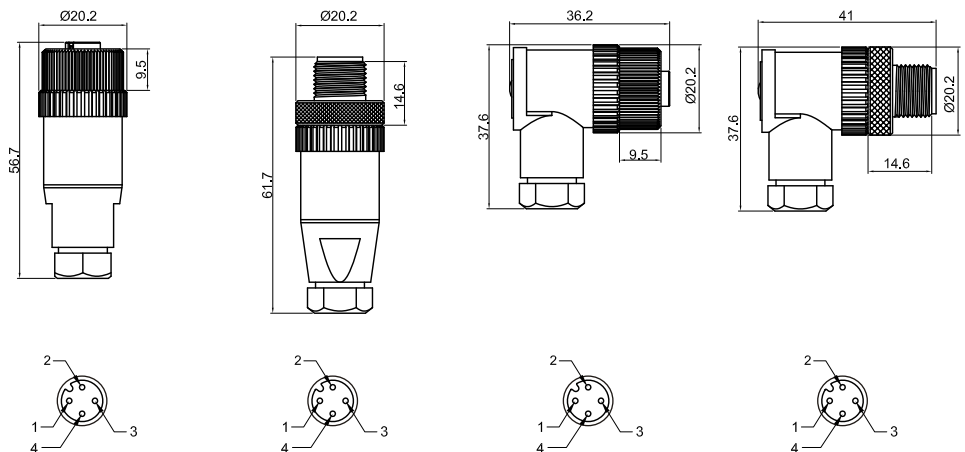
	型号 Item code			
	CE12-NF	CE12-WF	CE12-NG	CE12-WG



连接器 Connector

工作电压	Operating voltage	250V AC/DC	250V AC/DC	250V AC/DC	250V AC/DC
额定电流	Nominal current	3A	3A	3A	3A
耐电压 Voltage Withstands	芯与芯之间 Between pin and pin	1 KV	1 KV	1 KV	1 KV
	芯与螺纹件 Between pin and threaded part	0.85 KV	0.85 KV	0.85 KV	0.85 KV
绝缘电阻	Insulation resistance	100MΩ	100MΩ	100MΩ	100MΩ
温度范围	Temperature range	-20~+80°C	-20~+80°C	-20~+80°C	-20~+80°C
LED指示	LED Indication	—	—	—	—
外被	Outer covering	ABS	ABS	ABS	ABS
承载材质	Bearing material	ABS	镍铜合金 Nickel-copper alloy	ABS	镍铜合金 Nickel-copper alloy
防护等级	Protection degree	IP67	IP67	IP67	IP67

尺寸图 Dimension



服务热线 Hotline **800-820-8259**
www.shlanbao.cn

上海兰宝传感科技股份有限公司
Shanghai Lanbao Sensing Technology Co., Ltd.

地址：上海市奉贤区金汇工业园区金碧路228号
邮编：201404
电话：021-57486188
传真：021-57486199
邮箱：sales@shlanbao.cn

Add: No.228 Jinbi Road, Jinhui Industrial Park,
Fengxian Area, Shanghai, China 201404
Tel: 86-21-57486188
Fax: 86-21-57486199
E-mail: market@shlanbao.cn

Reflector

Item Code	STD-06	TD-04	TD-05
Dimensions			
Item Code	TD-09	TD-02	TD-08
Dimensions			
Item Code	TD-01	TD-03	TD-01-3
Dimensions			
Item Code	TD-10		
Dimensions			