

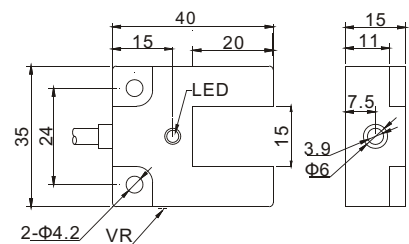
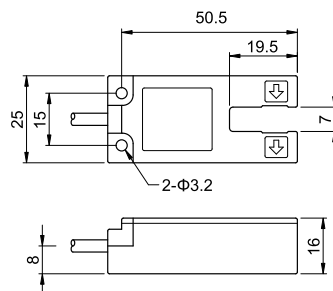
| Item Code | PU07 | PU15 |
|--------------|------------------|-------------------|
| Sensing mode | Through beam | Through beam |
| Slot width | 7mm (adjustable) | 15mm (adjustable) |

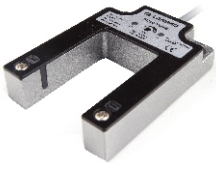
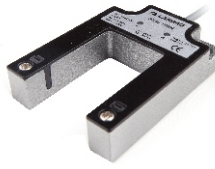


| | | | |
|--------|--------|-----------|-----------|
| Output | NPN NO | PU07-TDNO | PU15-TDNO |
| | NPN NC | PU07-TDNC | PU15-TDNC |
| Output | PNP NO | PU07-TDPO | PU15-TDPO |
| | PNP NC | PU07-TDPC | PU15-TDPC |



Technical Parameter

| | | |
|---------------------|--|--|
| Supply voltage | 10...30VDC | 10...30VDC |
| Light source | Infrared LED(Modulated) | Infrared LED(Modulated) |
| Sensing Object | Opaque Objects with $\Phi > 1\text{mm}$ | Opaque Objects with $\Phi > 1\text{mm}$ |
| Residual voltage | Max,1ms | Max,1ms |
| Response time | $\leq 200\text{ms}$ | $\leq 200\text{ms}$ |
| Load current | $\leq 2.5\text{VDC}$ | $\leq 2.5\text{VDC}$ |
| Consumption current | $\leq 15\text{mA}$ | $\leq 15\text{mA}$ |
| Protection | Polarity protection / Surge protection | Polarity protection / Surge protection |
| Output indicator | Yellow LED | Yellow LED |
| Ambient temperature | -15...55°C | -15...55°C |
| Dielectric | 1000V/AC 50/60Hz 60s | 1000V/AC 50/60Hz 60s |
| Insulation | $\geq 50\text{M}\Omega(500\text{VDC})$ | $\geq 50\text{M}\Omega(500\text{VDC})$ |
| Vibration | 15mm amplitude at 10 to 50Hz in each of xy and z direction for two hours | 15mm amplitude at 10 to 50Hz in each of xy and z direction for two hours |
| Shock | 500m/S(50G)for 3 Times,in each of xy and z direction | 500m/S(50G)for 3 Times,in each of xy and z direction |
| Protection degree | IP64 | IP64 |
| Housing material | PBT | PBT |
| Connection | 2m PVC Cable | 2m PVC Cable |
| Certification | CE | CE |



| Item Code | PU30 | | PU30 | |
|--------------|---|-----------|--|--|
| Sensing mode | Through beam | | Through beam | |
| Slot width | 30mm (adjustable) | | 30mm (Non-adjustable) | |
| |  | |  | |
| Output | | | | |
| | NPN NO/NC | PU30-TDNB | PU30-TDNB 3001 | |
| Output | | | | |
| | PNP NO/NC | PU30-TDPB | PU30-TDPB 3001 | |

Technical Parameter

| | | |
|---------------------|--|--|
| Supply voltage | 10...30VDC | 10...30VDC |
| Light source | Infrared LED(Modulated) | Infrared LED(Modulated) |
| Sensing Object | Opaque Objects with $\Phi > 2\text{mm}$ | Opaque Objects with $\Phi > 2\text{mm}$ |
| Residual voltage | Max,1ms | Max,1ms |
| Response time | $\leq 200\text{ms}$ | $\leq 200\text{ms}$ |
| Load current | $\leq 2.5\text{VDC}$ | $\leq 2.5\text{VDC}$ |
| Consumption current | $\leq 15\text{mA}$ | $\leq 15\text{mA}$ |
| Protection | Polarity protection / Surge protection / Short-circuit protection | Polarity protection / Surge protection / Short-circuit protection |
| Output indicator | Yellow LED | Yellow LED |
| Ambient temperature | -15...55°C | -15...55°C |
| Dielectric | 1000V/AC 50/60Hz 60s | 1000V/AC 50/60Hz 60s |
| Insulation | $\geq 50\text{M}\Omega(500\text{VDC})$ | $\geq 50\text{M}\Omega(500\text{VDC})$ |
| Vibration | 15mm amplitude at 10 to 50-Hz in each of xy and z direction for two hours | 15mm amplitude at 10 to 50-Hz in each of xy and z direction for two hours |
| Shock | 500m/S(50G)for 3 Times,in each of x,y and z direction | 500m/S(50G)for 3 Times,in each of x,y and z direction |
| Protection degree | IP60 | IP67 |
| Housing material | Aluminum alloy | Aluminum alloy |
| Connection | 2m PVC Cable | 2m PVC Cable |
| Certification | CE  | CE  |

