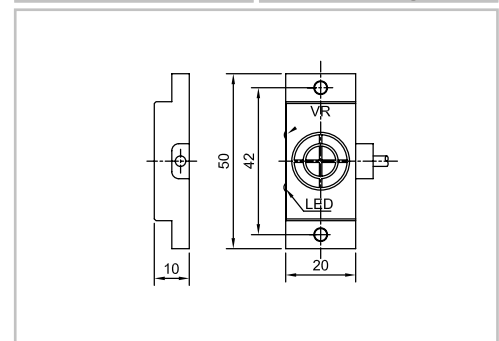
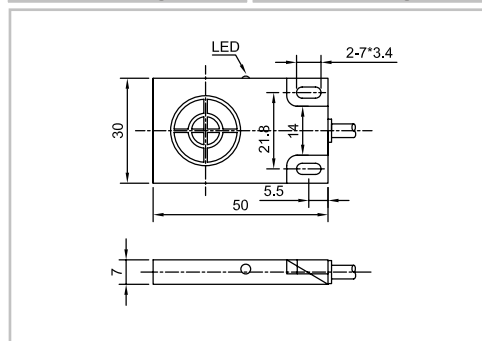
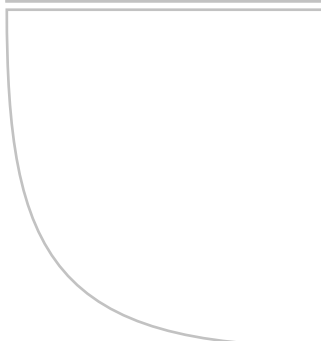


Item Code	CE07		CE34	
Mounting	● Flushed	◐ Non-flushed	◐ Non-flushed	
Sensing distance	5mm	8mm	10mm	

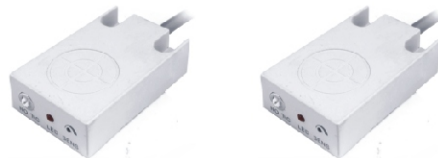


Output	NPN NO	CE07SF05DNO	CE07SN08DNO	CE34SN10DNO
	NPN NC	CE07SF05DNC	CE07SN08DNC	CE34SN10DNC
Output	PNP NO	CE07SF05DPO	CE07SN08DPO	CE34SN10DPO
	PNP NC	CE07SF05DPC	CE07SN08DPC	CE34SN10DPC

Technical Parameter				
Supply voltage	10...30 VDC	10...30 VDC		10...30 VDC
Switch point drift	< ±20% Sr	< ±20% Sr		< ±20% Sr
Load current	<200mA	<200mA		<200mA
Voltage drop	<2.5V	<2.5V		<2.5V
Consumption current	<15mA	<15mA		<15mA
Hysteresis	3...20%	3...20%		3...20%
Repeat accuracy	<3%	<3%		<3%
Frequency	30Hz	30Hz		30Hz
Output indicator	Yellow LED	Yellow LED		Yellow LED
Polarity protection	yes	yes		yes
Surge protection	yes	yes		yes
Short-circuit protection
Ambient temperature	-10...+55°C	-10...+55°C		-10...+55°C
Ambient moisture	35...95%	35...95%		35...95%
Protection degree	IP67	IP67		IP67
Housing material	PBT	PBT		PBT
Connection	2m PVC Cable	2m PVC Cable		2m PVC Cable
Certification	CE U _L	CE U _L		CE U _L



Item Code	CE35	
Mounting	● Flushed	◐ Non-flushed
Sensing distance	10mm	15mm



Output	NPN NO	CE35SF10DNO	CE35SN15DNO
	NPN NC	CE35SF10DNC	CE35SN15DNC
Output	PNP NO	CE35SF10DPO	CE35SN15DPO
	PNP NC	CE35SF10DPC	CE35SN15DPC

Technical Parameter			
Supply voltage	10...30 VDC	10...30 VDC	
Switch point drift	< ±20% Sr	< ±20% Sr	
Load current	<200mA	<200mA	
Voltage drop	<2.5V	<2.5V	
Consumption current	<15mA	<15mA	
Hysteresis	3...20%	3...20%	
Repeat accuracy	<3%	<3%	
Frequency	30Hz	30Hz	
Output indicator	Yellow LED	Yellow LED	
Polarity protection	yes	yes	
Surge protection	yes	yes	
Short-circuit protection	
Ambient temperature	-10...+55°C	-10...+55°C	
Ambient moisture	35...95%	35...95%	
Protection degree	IP67	IP67	
Housing material	PBT	PBT	
Connection	2m PVC Cable	2m PVC Cable	
Certification	CE U _L	CE U _L	

